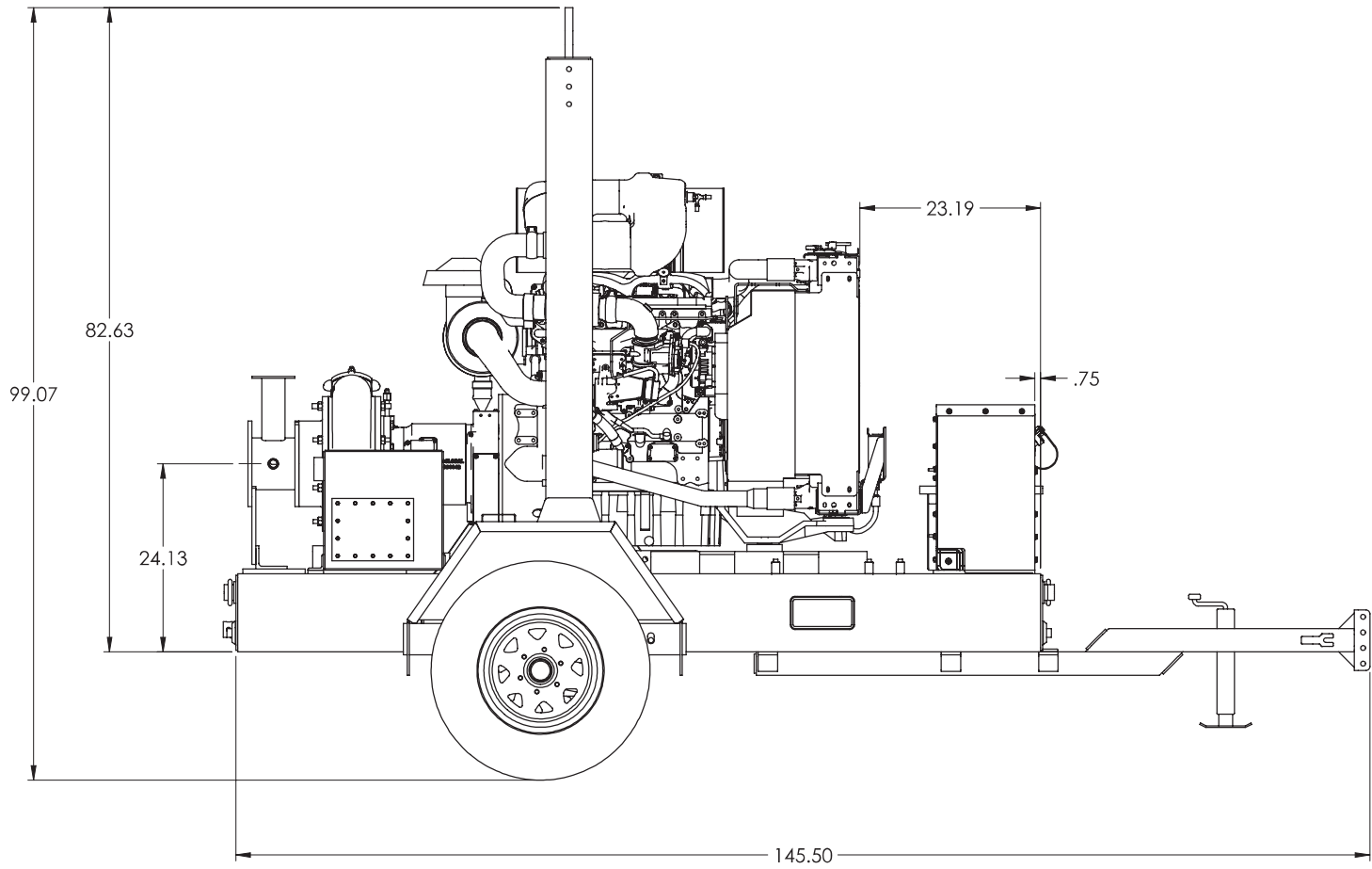




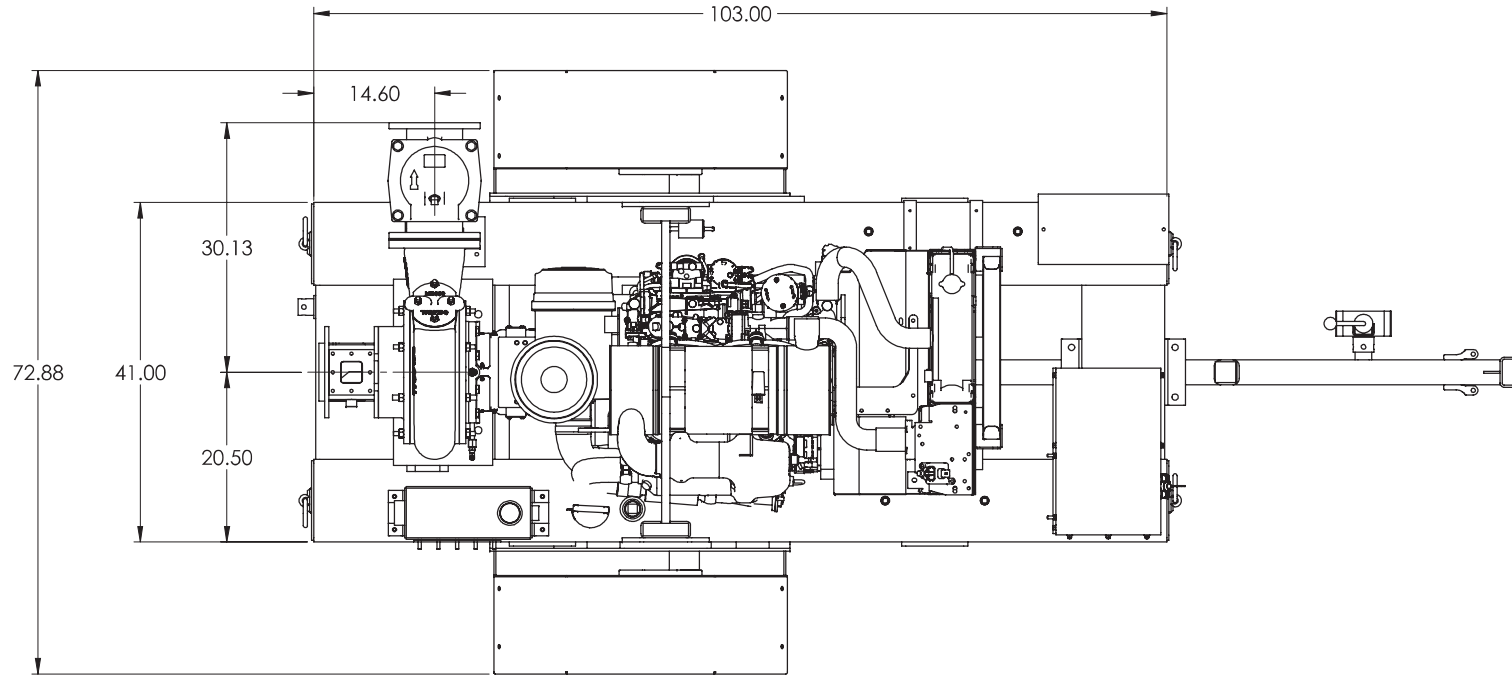
PART NUMBER  
BB SKID UPDATE



PART CODE	PART NAME 6GHT-MK 2-CAT 4.4		
DESCRIPTION 6GHT-MK 2-CAT 4.4			
FORM			
<b>UNLESS OTHERWISE SPECIFIED</b>		WEIGHT (LB) 6194.128	PART NUMBER
DIMENSIONS ARE IN INCHES (ALT IN mm)		DATE 12/2/19	BB SKID UPDATE
TWO PLACE DECIMAL	+0.010	 THIRD ANGLE PROJECTION USED	
THREE PLACE DECIMAL	+0.005		
FOUR PLACE DECIMAL	+0.0005		
ANGULAR	+0.5°		
ANGULAR HOLE LOCATION	+*	DWN JO	 A HERSING COMPANY
		SHEET 1 OF 2	

**NOTICE** THIS DRAWING AND THE PRINCIPLES AND ELEMENTS OF DESIGN EMBODIED THEREIN ARE THE EXCLUSIVE PROPERTY OF GLOBAL PUMP, LLC AND ARE NOT TO BE COMMUNICATED, DISCLOSED, REPRODUCED OR USED EXCEPT AS PREVIOUSLY AUTHORIZED IN WRITING BY SAID COMPANY AND MUST NOT BE SUBMITTED TO OUTSIDE PARTIES FOR EXAMINATION WITHOUT THE CONSENT OF SAID COMPANY.

PART NUMBER  
BB SKID UPDATE



PART CODE	PART NAME 6GHT-MK 2-CAT 4.4		
DESCRIPTION	6GHT-MK 2-CAT 4.4		
MATERIAL			
MATERIAL PART NUMBER	FORM	WEIGHT (LB) 6194.128	PART NUMBER
<b>UNLESS OTHERWISE SPECIFIED</b>			
DIMENSIONS ARE IN INCHES (ALT IN mm)	THIRD ANGLE PROJECTION USED	DATE 12/2/19	PART NUMBER
TWO PLACE DECIMAL ± 0.010		DWN JO	BB SKID UPDATE
THREE PLACE DECIMAL ± 0.005		SHEET 2 OF 2	
FOUR PLACE DECIMAL ± 0.0005			
ANGULAR ± 0.5°			
ANGULAR HOLE LOCATION ± *			

**NOTICE** THIS DRAWING AND THE PRINCIPLES AND ELEMENTS OF DESIGN EMBODIED THEREIN ARE THE EXCLUSIVE PROPERTY OF GLOBAL PUMP, LLC AND ARE NOT TO BE COMMUNICATED, DISCLOSED, REPRODUCED OR USED EXCEPT AS PREVIOUSLY AUTHORIZED IN WRITING BY SAID COMPANY AND MUST NOT BE SUBMITTED TO OUTSIDE PARTIES FOR EXAMINATION WITHOUT THE CONSENT OF SAID COMPANY.

