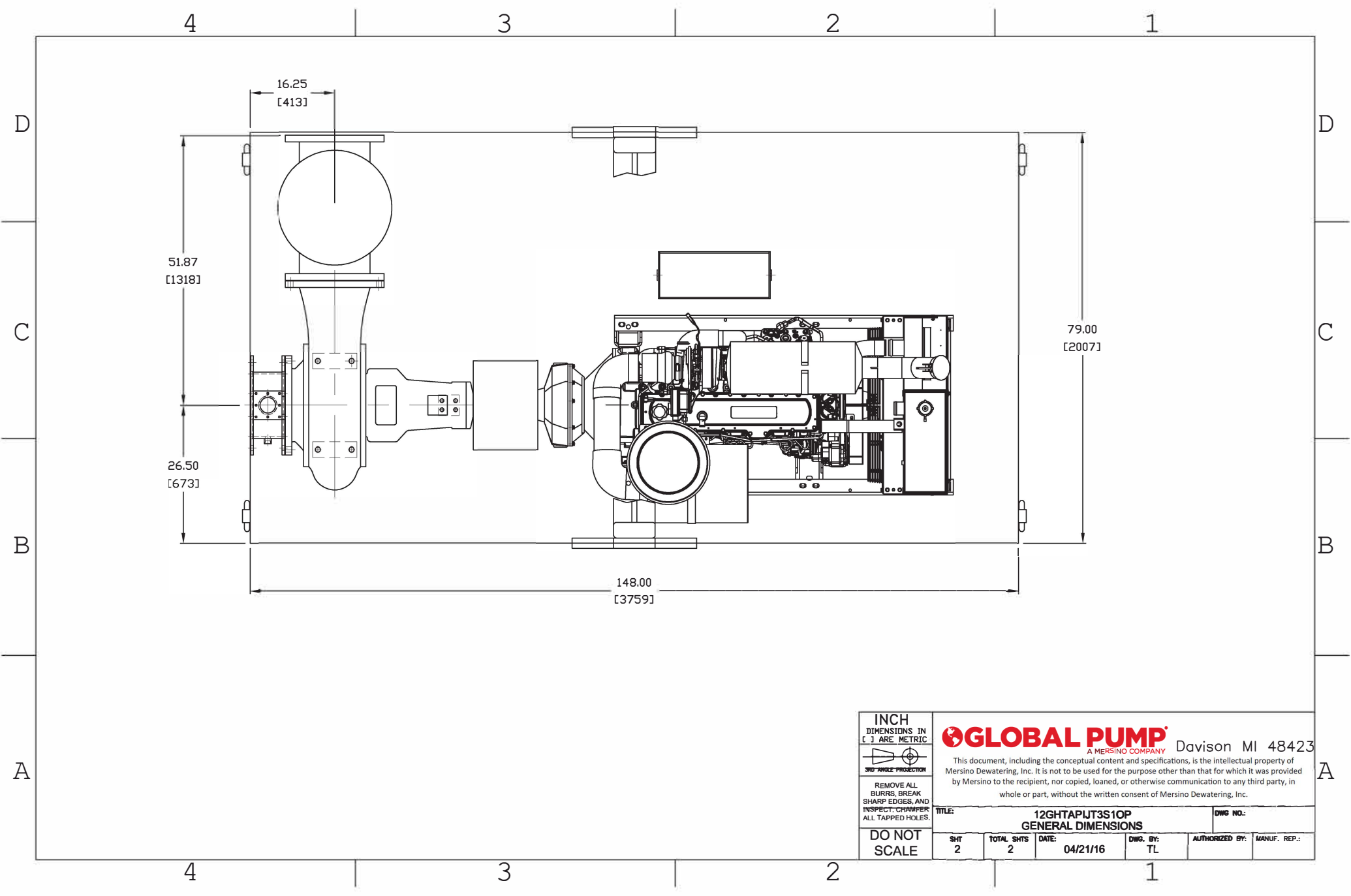


<p>INCH DIMENSIONS IN [] ARE METRIC</p> <p>REMOVE ALL BURRS, BREAK SHARP EDGES, AND INSPECT. CHAMFER ALL TAPPED HOLES.</p> <p>DO NOT SCALE</p>	<p>GLOBAL PUMP A MERSINO COMPANY</p>		<p>Davison MI 48423</p>		
	<p>This document, including the conceptual content and specifications, is the intellectual property of Mersino Dewatering, Inc. It is not to be used for the purpose other than that for which it was provided by Mersino to the recipient, nor copied, loaned, or otherwise communication to any third party, in whole or part, without the written consent of Mersino Dewatering, Inc.</p>				
<p>TITLE: 12GHTAPIJT3S10P GENERAL DIMENSIONS</p>		<p>DWG NO.:</p>			
<p>SHT 1</p>	<p>TOTAL SHTS 2</p>	<p>DATE: 04/21/16</p>	<p>DWG. BY: TL</p>	<p>AUTHORIZED BY:</p>	<p>MANUF. REP.:</p>



INCH
DIMENSIONS IN
[] ARE METRIC

3RD ANGLE PROJECTION

REMOVE ALL
BURRS, BREAK
SHARP EDGES, AND
INSPECT, CHAMFER
ALL TAPPED HOLES.

DO NOT
SCALE

GLOBAL PUMP
A MERSINO COMPANY

Davison MI 48423

This document, including the conceptual content and specifications, is the intellectual property of Mersino Dewatering, Inc. It is not to be used for the purpose other than that for which it was provided by Mersino to the recipient, nor copied, loaned, or otherwise communication to any third party, in whole or part, without the written consent of Mersino Dewatering, Inc.

TITLE:		12GHTAPIJT3S10P GENERAL DIMENSIONS		DWG NO.:	
SHT	TOTAL SHTS	DATE:	DWG. BY:	AUTHORIZED BY:	MANUF. REP.:
2	2	04/21/16	TL		