
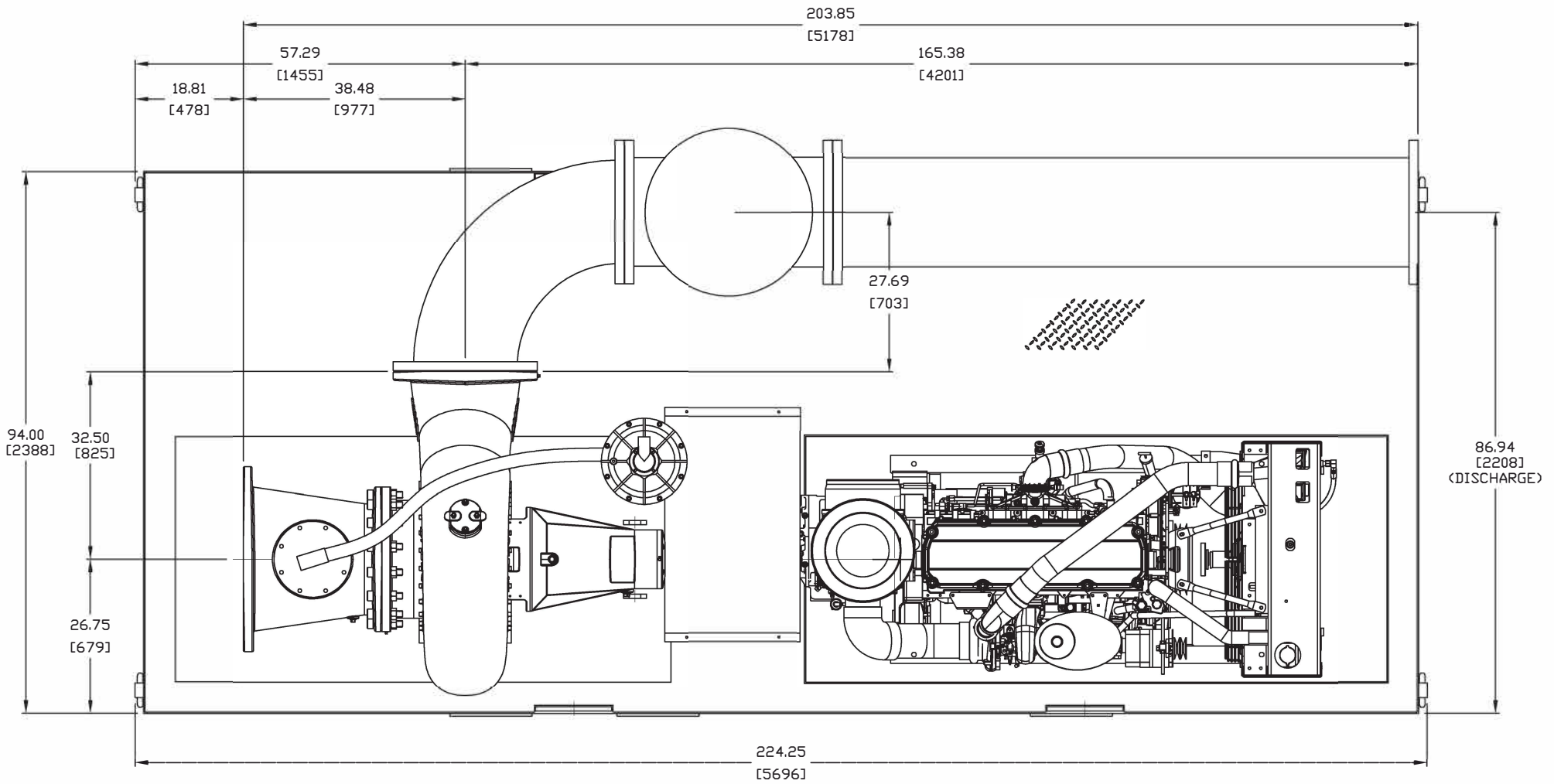


INCH DIMENSIONS IN [ ] ARE METRIC  FIRST ANGLE PROJECTION REMOVE ALL BURRS, BREAK SHARP EDGES, AND INSPECT. CHAMFER ALL TAPPED HOLES. DO NOT SCALE	<b>GLOBAL PUMP</b> <small>A MERSINO COMPANY</small>		Davison MI 48423	
	This document, including the conceptual content and specifications, is the intellectual property of Mersino Dewatering, Inc. It is not to be used for the purpose other than that for which it was provided by Mersino to the recipient, nor copied, loaned, or otherwise communication to any third party, in whole or part, without the written consent of Mersino Dewatering, Inc.			
TITLE: 24GSTDPICT3S10P		24GSTDPIJT3S10P		DWG NO.:
GENERAL DIMENSIONS				
SH1 1	TOTAL SH1S 2	DATE: 04/22/16	DWG. BY: TL	AUTHORIZED BY: -
				MANUF. REP.: -



INCH  
DIMENSIONS IN  
[ ] ARE METRIC

ISO ANGLE PROJECTION

REMOVE ALL  
BURRS, BREAK  
SHARP EDGES,  
AND INSPECT.  
CHAMFER ALL  
TAPPED HOLES.

DO NOT  
SCALE

**GLOBAL PUMP**  
A MERSINO COMPANY

Davison MI 48423

This document, including the conceptual content and specifications, is the intellectual property of Mersino Dewatering, Inc. It is not to be used for the purpose other than that for which it was provided by Mersino to the recipient, nor copied, loaned, or otherwise communication to any third party, in whole or part, without the written consent of Mersino Dewatering, Inc.

TITLE: 24GSTDPICT3S10P 24GSTDPIJT3S10P DWG NO.:

GENERAL DIMENSIONS

SHT	TOTAL SHTS	DATE	DWG. BY:	AUTHORIZED BY:	MANUF. REP.:
2	2	04/22/16	TL	-	-