

INCH  
DIMENSIONS IN  
[ ] ARE METRIC

3RD ANGLE PROJECTION

REMOVE ALL  
BURRS, BREAK  
SHARP EDGES, AND  
INSPECT, CHAMFER  
ALL TAPPED HOLES.

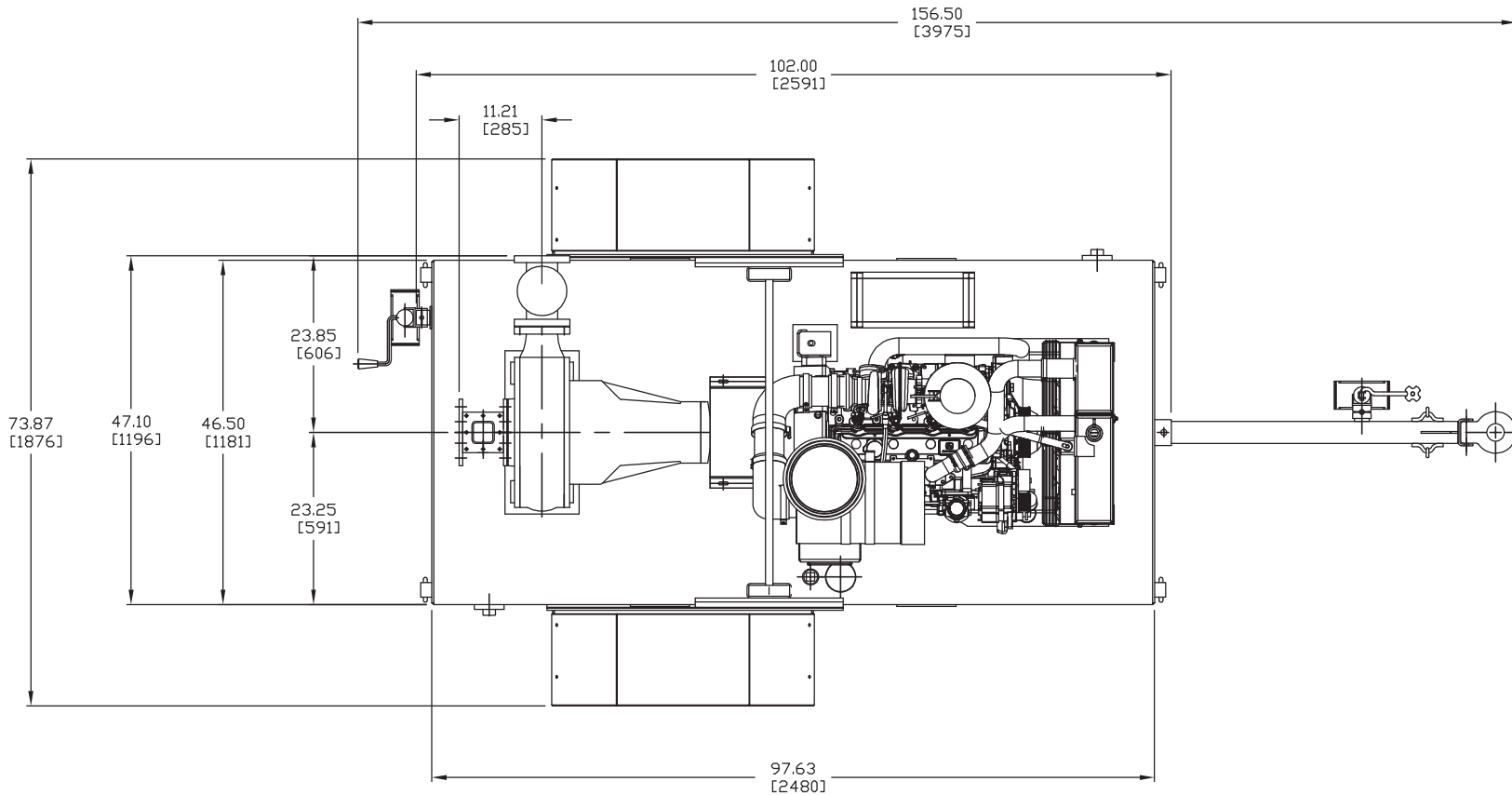
**DO NOT  
SCALE**

**GLOBAL PUMP**  
A MERSINO COMPANY

Davison MI 48423

This document, including the conceptual content and specifications, is the intellectual property of Global Pump Company, LLC. It is not to be used for the purpose other than that for which it was provided by Global to the recipient, nor copied, loaned, or otherwise communicated to any third party, in whole or part, without the written consent of Global Pump Company, LLC.

TITLE:		4GSHAPIJT3T1OP GENERAL DIMENSIONS		DWG NO.:	
SHT 1	TOTAL SHTS 2	DATE: 04/20/16	DWG. BY: TL	AUTHORIZED BY: -	MANUF. REP.: -



INCH  
DIMENSIONS IN  
[ ] ARE METRIC

3RD ANGLE PROJECTION

REMOVE ALL  
BURRS, BREAK  
SHARP EDGES, AND  
INSPECT, CHAMFER  
ALL TAPPED HOLES.

**GLOBAL PUMP**  
A MERSINO COMPANY Davison MI 48423

This document, including the conceptual content and specifications, is the intellectual property of Global Pump Company, LLC. It is not to be used for the purpose other than that for which it was provided by Global to the recipient, nor copied, loaned, or otherwise communicated to any third party, in whole or part, without the written consent of Global Pump Company, LLC

TITLE:		4GSHAPIJT3T10P GENERAL DIMENSIONS		DWG NO.:	
SHT	TOTAL SHTS	DATE:	DWG. BY:	AUTHORIZED BY:	MANUF. REP.:
2	2	04/20/16	TL	-	-

DO NOT  
SCALE