
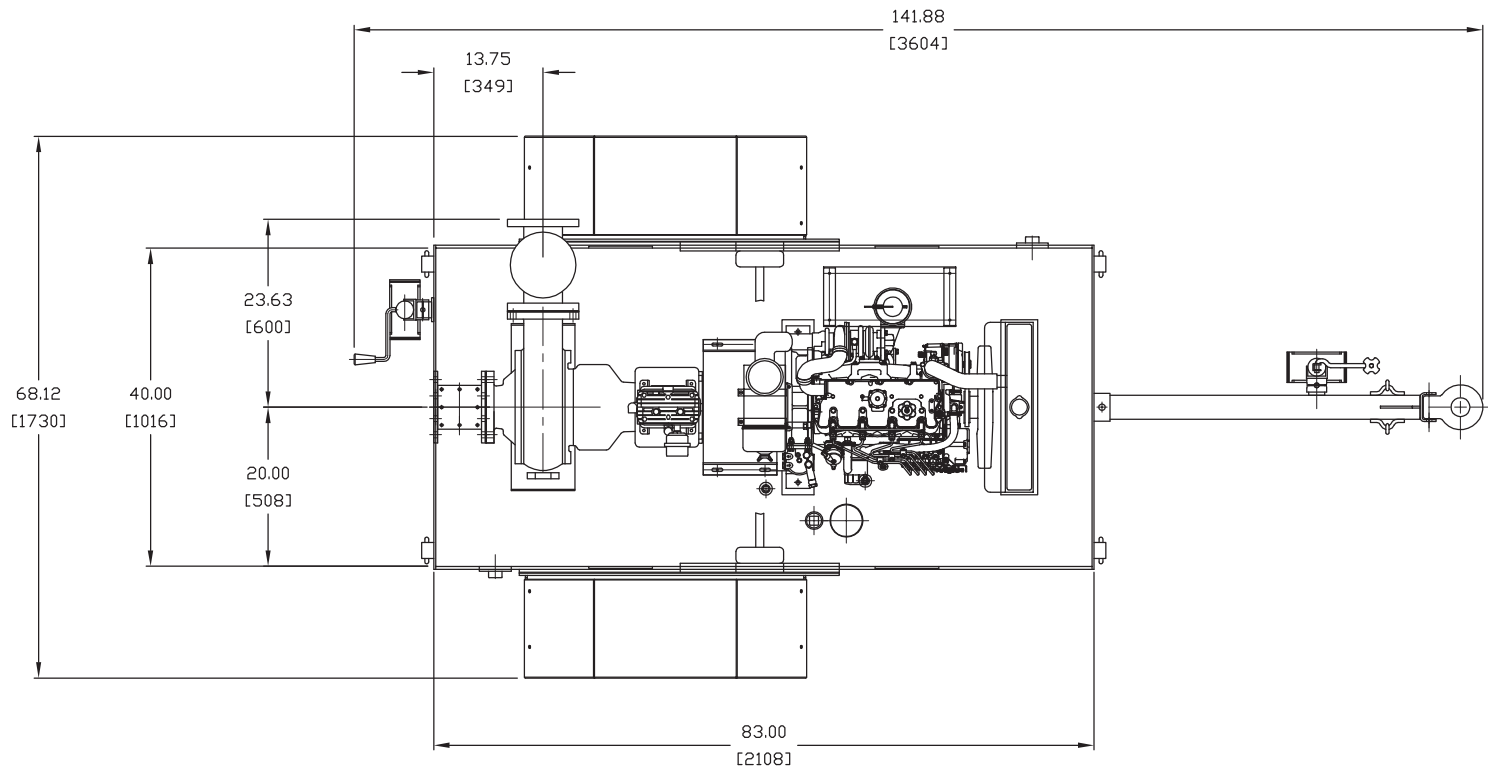


INCH DIMENSIONS IN [ ] ARE METRIC			Davison MI 48423	
	<small>           This document, including the conceptual content and specifications, is the intellectual property of Global Pump Company, LLC. It is not to be used for the purpose other than that for which it was provided by Global to the recipient, nor copied, loaned, or otherwise communicated to any third party, in whole or part, without the written consent of Global Pump Company, LLC         </small>			
3RD ANGLE PROJECTION	TITLE: 4GHTAPIC14T1OP 4GHTAPIK14T1OP GENERAL DIMENSIONS		DWG NO.:	
REMOVE ALL BURRS, BREAK SHARP EDGES, AND INSPECT. CHAMFER ALL TAPPED HOLES.	SHT 1	TOTAL SHTS 2	DATE: 04/22/16	DWG. BY: TL
<b>DO NOT          SCALE</b>			AUTHORIZED BY: -	MANUF. REP.: -



INCH  
DIMENSIONS IN  
[ ] ARE METRIC

3RD ANGLE PROJECTION

REMOVE ALL  
BURRS, BREAK  
SHARP EDGES, AND  
INSPECT. CHAMFER  
ALL TAPPED HOLES.

DO NOT  
SCALE

**GLOBAL PUMP**  
A MERSINO COMPANY Davison MI 48423

This document, including the conceptual content and specifications, is the intellectual property of Global Pump Company, LLC. It is not to be used for the purpose other than that for which it was provided by Global to the recipient, nor copied, loaned, or otherwise communicated to any third party, in whole or part, without the written consent of Global Pump Company, LLC

TITLE: 4GHTAPIC4T1OP 4GHTAPIK4T1OP		DWG NO.:	
GENERAL DIMENSIONS			
SHT 2	TOTAL SHTS 2	DATE: 04/22/16	DWG. BY: TL
AUTHORIZED BY: -		MANUF. REP.: -	